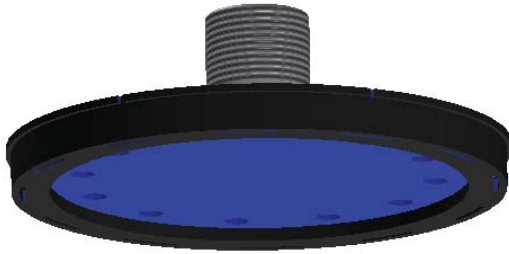
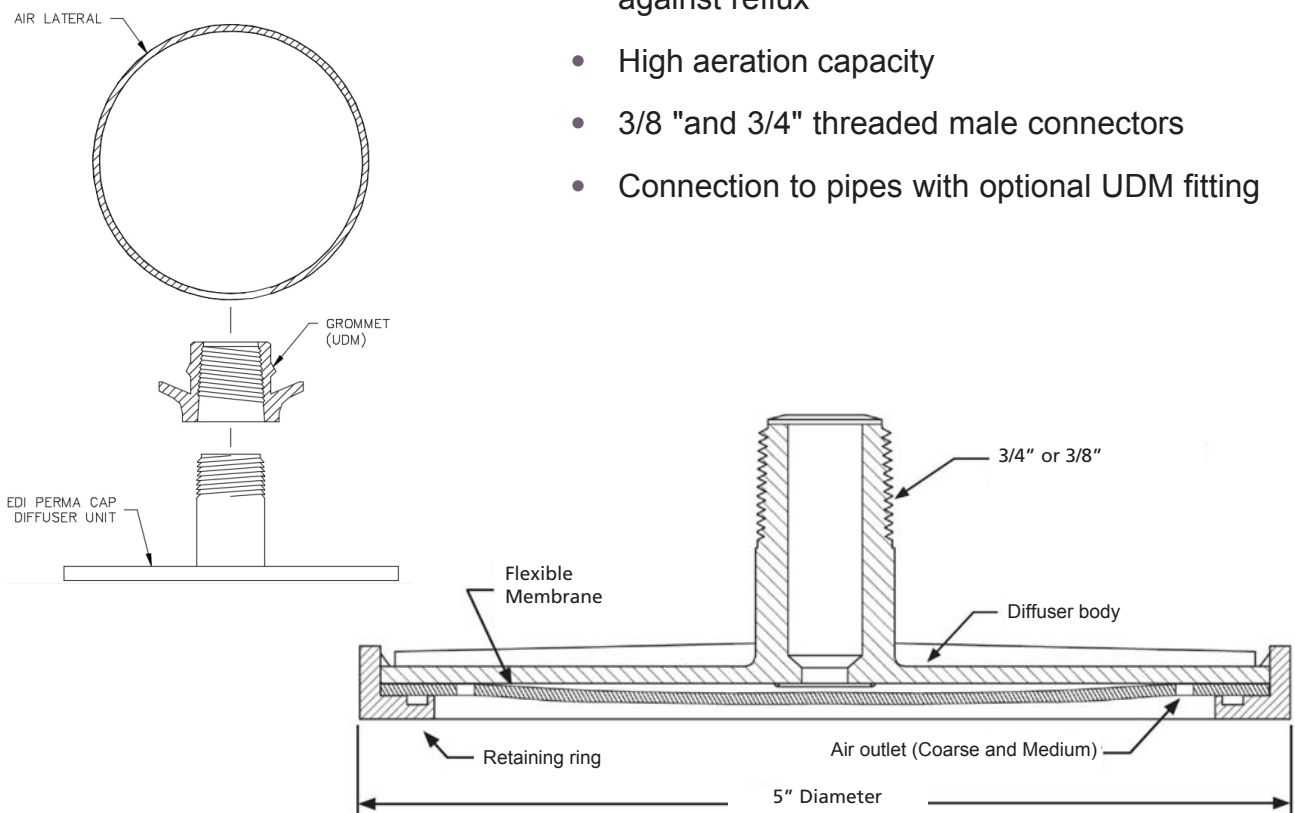


# PermaCap

## Disc diffuser



- Cost effective solution
- Excellent aeration performance
- Durable ABS diffuser body for superior UV protection and strength
- Membrane, EPDM
- Preferential installation in the lower part of the pipes, favoring self-cleaning and protection against reflux
- High aeration capacity
- 3/8" and 3/4" threaded male connectors
- Connection to pipes with optional UDM fitting



SYSTÈME MÉTRIQUE					SYSTÈME IMPÉRIAL						
Type du diffuseur	Débit nominal m <sup>3</sup> /h	Overall Diameter mm	Active Surface Area m <sup>2</sup>	Poids à sec kg	Type du diffuseur	Débit nominal scfm	Overall Diameter in	Active Surface Area ft <sup>2</sup>	Poids à sec lb		
PermaCap (Coarse)	3/8" Thread	3-32	127	0.012	0.087	PermaCap (Coarse)	3/8" Thread	2-20	5.00	0.13	0.19
	3/4" Thread	3-32	127	0.012	0.091		3/4" Thread	2-20	5.00	0.13	0.20
PermaCap (Medium)	3/8" Thread	1.6-13	127	0.012	0.087	PermaCap (Medium)	3/8" Thread	1-8.0	5.00	0.13	0.19
	3/4" Thread	1.6-13	127	0.012	0.091		3/4" Thread	1-8.0	5.00	0.13	0.20
PermaCap (Fine)	3/8" Thread	0.8-3.2	127	0.012	0.087	PermaCap (Fine)	3/8" Thread	0.5-2.0	5.00	0.13	0.19
	3/4" Thread	0.8-3.2	127	0.012	0.091		3/4" Thread	0.5-2.0	5.00	0.13	0.20

The approximate operating pressure of the diffusers is 1.2 - 2.5 kPa at midpoint.